

GLL RAPSNK3 C

GALLERY Tap Range Gallery Rapid Boiling 3in1 Sink Mixer Chrome



Specification

Product Type:	Kitchen Taps
Main Construction Material:	Brass; ABS
Mount Type:	Deck
Handle Type:	1 Lever Handle, 1 Spring-back Handle
Connection Inlet:	1/2" BSP Flexible Tails
Number of Tap Holes:	1
Tank Capacity:	2.4 litres
Temperature Settings:	7 Settings; Min: 75°C Max: 98°C
Plumbing System Requirements:	Suitable for high pressure systems
Minimum Dynamic Pressure (bar):	1.5 bar
Maximum Dynamic Pressure (bar):	3 bar
Maximum Hot Water Temperature °C:	65°C
Maximum Static Pressure: (bar)	3
Flow Type:	Dual
Isolation Included:	No
Power Rating:	1.4-1.5 kW
Electrical Supply Requirements:	230-240V AC, 50 Hz, IPX4 Protection

Features:

- Everything you need: Tap, tails, tank, pressure reducing valve and filter included
- Safety: Handle requires button to be pushed before turning to dispense boiling water
- Safe to touch spout: Boiling water is stored in the tank not in the tap reducing the risk of scalding
- Quality: Hard wearing, flawless finish that lasts
- Perfect taste: Supplied in-line filter cartridge to minimise limescale and prolong the life of your tank, as well as absorbing chlorine and other chemicals to give you the perfect tasting tea or coffee

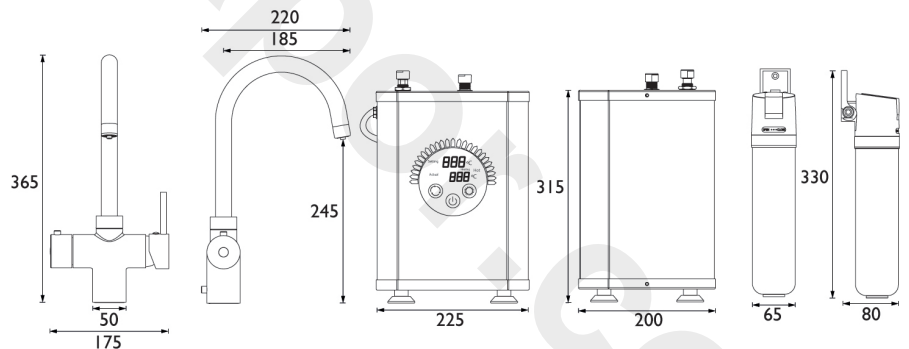
Product Certifications:



For more products, visit our website:
<http://www.bristan.com>



Dimensions (measurements in mm)



Flow Rates (l/min)

System Pressure (bar)	1.5	2	3
GLL RAPSNK3 C (Mixed)	6.8	7.8	9.6
GLL RAPSNK3 C (Boiling Water)	2	2	2

TECHNICAL DATA SHEET



Tap

Tap*

Tank

BRISTAN

TAPS & SHOWERS

D3

Bristan, Birch Coppice Business Park, Dordon, Tamworth, B78 1SG. Web Site: www.bristan.com Telephone: 0330 026 6273. Email: enquire@bristan.com.

* - 10 year guarantee applies to products purchased on or after 01/04/2021. Non-chrome product finishes carry a 3 year guarantee on finish. See www.bristan.com/guarantees for more information. The information contained on this page was correct at date of issue. Fitting Dimensions are provided as a guide only. Some variation may occur due to manufacturing tolerances. Bristan pursues a policy of continuous improvement in design and performance of its products and so reserves the right to change specifications without prior notice.